



SL DOORS

Make Elegant Products

Premium Quality





DISCOVER DOORS THAT ARE DIFFERENT FROM THE INSIDE OUT. BEAUTIFUL WOOD DOORS THAT ARE MADE WITH BY EUROPE TECHNOLOGY AND ARE CONSTRUCTED USING A BALANCE OF OLD WORLD CRAFTSMANSHIP COMBINED WITH STATE - OF-THE-ART TECHNOLOGY.

NEW CORNER OF SL DOORS

Natural Solid Teak doors

Pooja Doors

Excotic Doors

Classic Doors

Contemporary Doors

NATURAL

WARMTH.
LIGHT.
TEXTURE.

Let more outside in.
With its softly textured grain and light palette, our Natural range conjures an atmosphere of relaxed tranquility and cool, unfussy sophistication.





SL - 1



SL - 2



SL - 3



SL - 4



SL - 5



SL - 6



SL - 7



SL - 8



SL - 9



SL - 10



SL - 11



SL - 12

Pooja Doors



SL - 13



SL - 14

EXOTIC

**BOLD
DIFFERENT
INTERESTING**

Let more inspiration in.
Bold shades and textures combine through this exciting Exotic range,
capable of bringing a strikingly original design twist to any
interior / exterior space.



SL - 15



SL - 16



SL - 17

CLASSIC

SIMPLE.
TIMELESS.
BALANCED.

Let more elegance in.
For more traditional styled rooms, the beautiful doors
in our Classic Range, exude luxurious warmth
and exceptional quality.





SL - 18



SL - 19



SL - 20



SL - 21



SL - 22



SL - 23

CONTEMPORARY

**CLEAN.
MODERN.
MINIMAL.**

Let more sharp edge in.
Clean lines and chic minimalist finishes characterise the doors in our extensive Contemporary range, each designed to effortlessly complement the most modern of architecture.





SL - 24



SL - 25



SL - 26



SL - 27

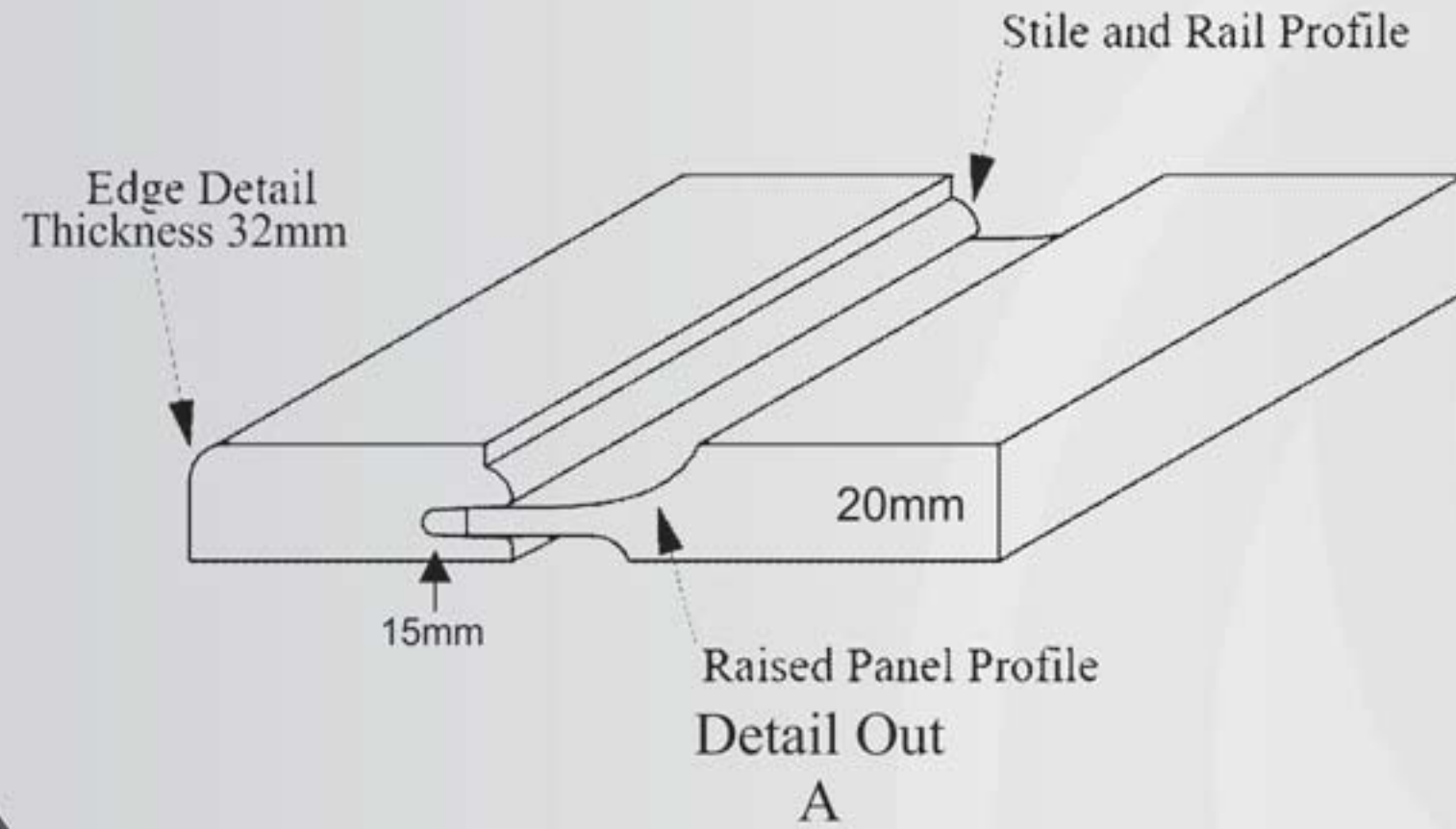


SL - 28



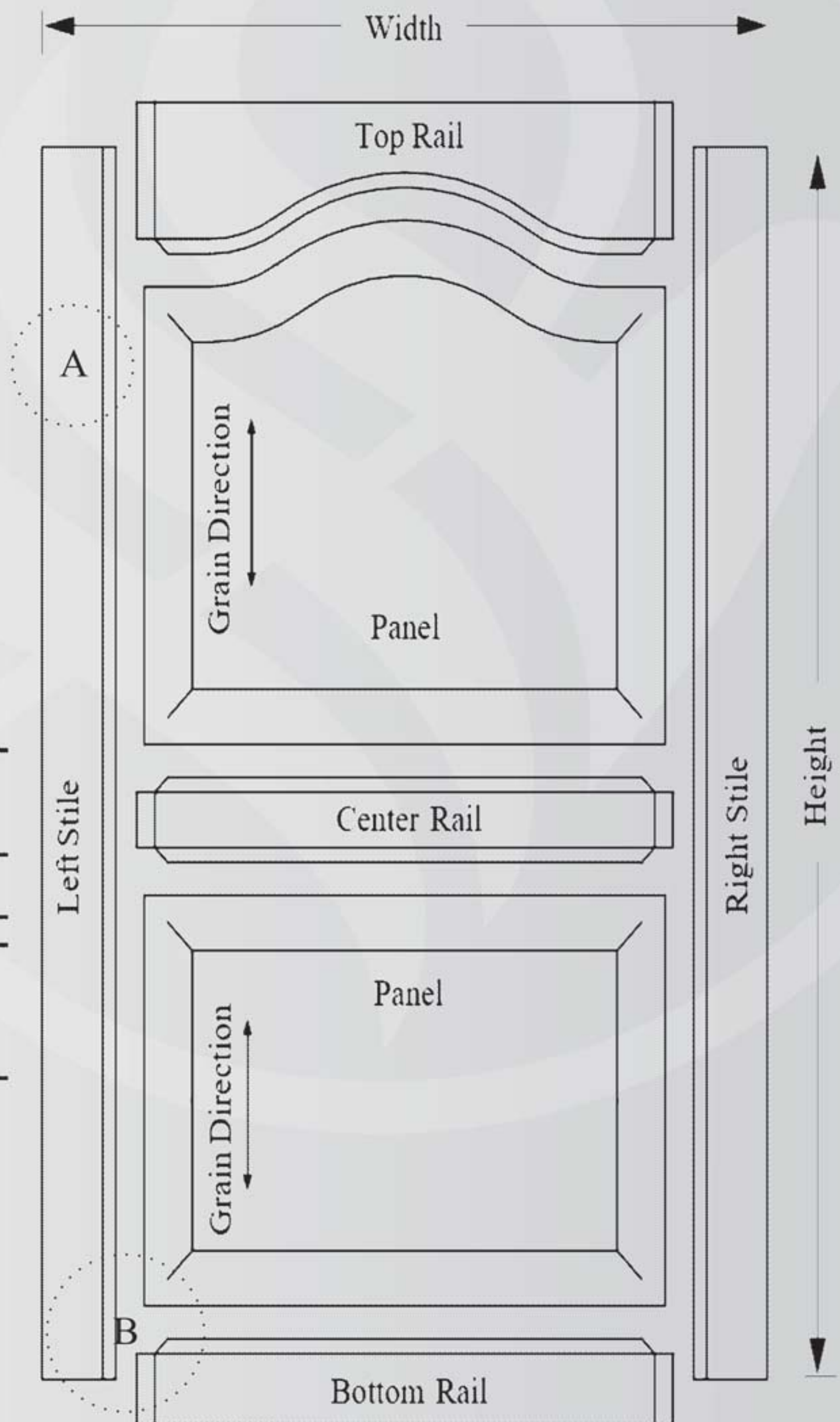
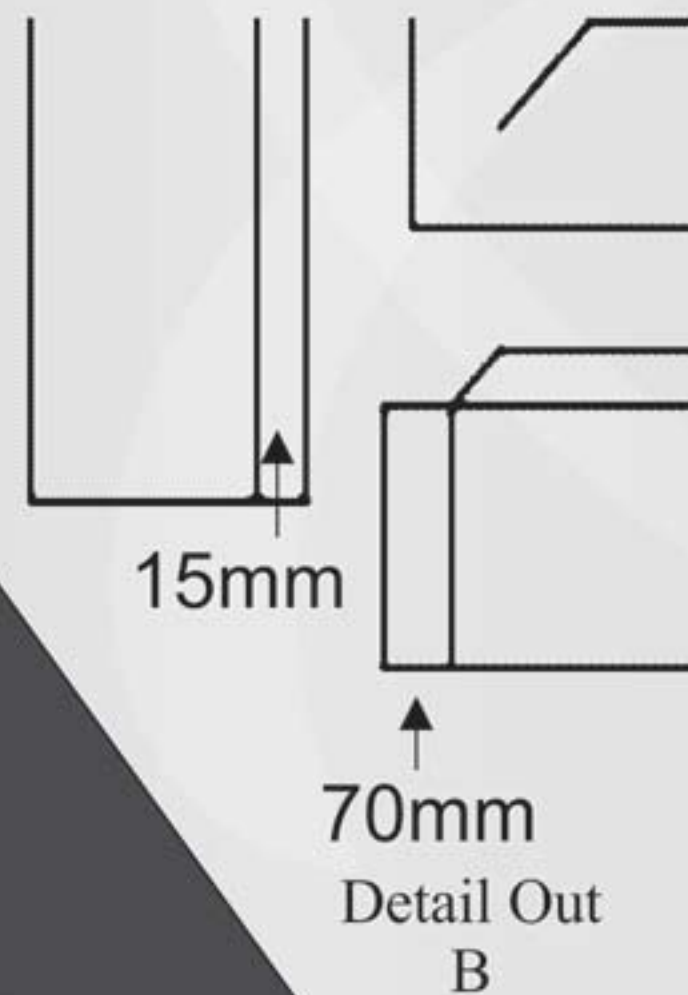
SL - 29

ANATOMY OF A DOOR



Size of Doors

Height : 79"
 Width : 32", 36", 38"
 Thickness : 32mm



SL TRADITIONAL DOORS

With traditional mortise and tenon joinery, stave core stiles and rails and these doors are made for the purest who appreciate a door that is made using classic door making methods.

Traditional Mortise and Tenon

Simple and strong, the mortise and tenon joint has been used for millennia by woodworkers around the world to join two pieces of wood. We've this time tested method of joinery in our **SL DOORS** Traditional series doors.



SL - 1



SL - 2



SL - 3



SL - 4



SL - 5



SL - 6



SL - 7



SL - 8



SL - 9



SL - 10



SL - 11



SL - 12



SL - 13



SL - 14



SL - 15



SL - 16



SL - 17



SL - 18



SL - 19



SL - 20



SL - 21



SL - 22



SL - 23



SL - 24



SL - 25



SL - 26



SL - 27



SL - 28



SL - 29

Specification

- 100% Solid Teak Wood Door
- Kiln Seasoned Wood with Europe Technology
- Made from Renewable Plantation Timber
- Use of Tenon & Mortise Joinery in doors for Extra strength

Ready to Furnish :

- We can give the best machining technique to achieve the highest quality surface finish our doors.

Our Speciality Packaging Provides :

- We uphold quality packaging standards for the safe arrival of your item(s).
- Secures the product in place
- Has a visible product display and provides an attractive presentation

Notes :-

- Custom size available as per your order.
- Colours and shades shown in catalogue may vary with actual products.





**SL
DOORS**

Make Elegant Products

P r e m i u m Q u a l i t y

Marketing by:
SL Doors
Bengalore
E-mail: infoSLdoors@gmail.com

Manufacture by:
Shreeji Doors
Bhuj - Kutch, Gujarat
E-mail: shreejidoors97@gmail.com